



Nico
Technology

Digital Thermostat Module



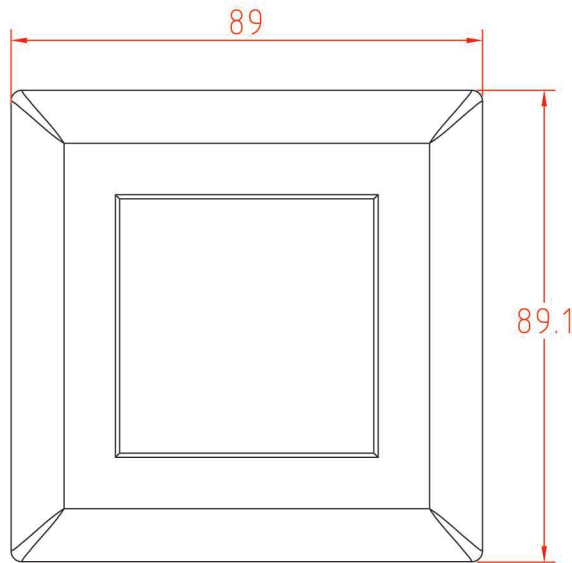
The 5105LT Digital Thermostat Module (DTM) display and provide space temperature, setpoint and fan mode/speed display for the LonWorks Fan Coil Terminal Unit Controller.

Using the Touch-Screen interface, the user can change room temperature setpoint, fan mode/speed.

This wall module is compatible with LonWork Fan Coil Terminal Unit Controller.



Wiring Diagram



Specifications

Model : 5105LT Digital Thermostat Module	
CPU : Echelon Neuron 3120	
Memory : 12Kbytes ROM,2Kbytes RAM	
LonWorks Transceiver : FT-X1	
Power supply : 30mA(DC) @ 24V(DC)	
Power consumption : 10~20mA	
Connection : Plug-screw clamp 0.2-2.5mm	
Temperature : Operation	0 ~ +40°C
	Storage -20 ~ +60°C
Admitted relative humidity : 5 ~ 90%, non condensing	
Dimensions : W154.6mm X H102mm X D32mm	
Mounting : Wall mount	
Display & Operation : Service and Reset LED indicator and button	
I/O Channels : one dry contact input channel	
Set point Adjustment Range :	
Fahrenheit : 53.6 to 86°F	Centigrade : 12 to 30°C
Set point Display Resolution :	
Fahrenheit : 1°F	Centigrade : 0.5 °C
Temperature Display Resolution :	
Fahrenheit : 0.1°F	Centigrade : 0.1°C

Features:

- Full compatible to all current LonWorks Fan Coil Terminal Unit Controller.
- Low power consumption
- LCD display continuously show current space temperature, fan status/mode as configured.
- Touch-screen interface for full navigation and change control of wall module functions.
- Touch screen interface for Setpoint adjustment.
- Integral NTC sensor.
- Fan Speed/Mode commendable for touch screen(*)
- Selectable °F /°C temperature display.
- Separate mounting base for easy installation.

Nico Technology Ltd.

24F, No.37 San Min Rd. Sec. 2 TEL: 886.2.2954.5338
Panchiao, Taipei County (220) FAX: 886.2.2954.5308
Taiwan, R.O.C. www.nico-tech.com