



*Nico*  
Technology

## Touch Panel Keypad

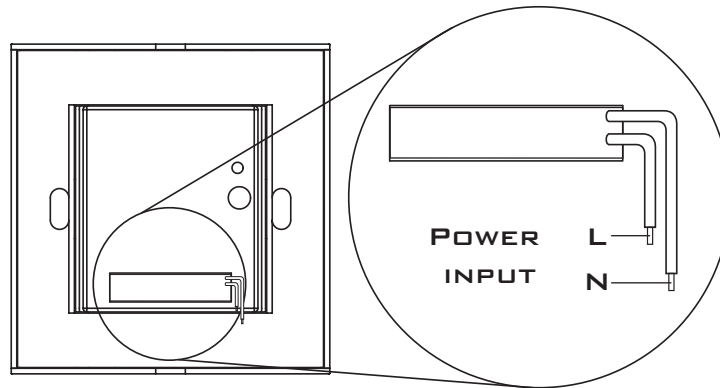
The Nico LonWorks-based Touch Screen Keypad is a multi-functional panel with a sleek and futuristic design that provides a simple yet convenient and flexible control for lights electrical appliances and other sub-systems. The Touch Screen Keypad is suitable for the home, office or even industrial settings.

The Touch Screen Panel offers an illuminated cool-blue backlight at night and each function key lights up with one touch. This replaces the traditional buttons and keypad. The Touch Screen Keypad provides a clear, high-tech appearance.

The keypad overlay can also be customized using computer printouts to match wallpaper or decor. The computerized custom overlay reduces the traditional engraving or silkscreen process of the keypad.



## Wiring Diagram

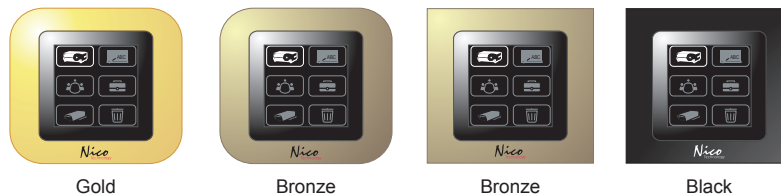


## Specifications

<b>Model :</b> 5006+L
<b>Processor :</b> Echelon PL-3120 Neuron Chip 10MHz
<b>Transceiver :</b> Echelon PL-3120 Smart Transceiver
<b>Control Key :</b> Touch Panel With blue LED backlight
<b>Power Supply :</b> 110 / 240VDC
<b>Temperature :</b> 0~85 °C
<b>Humidity :</b> 10 to 90%RH50 °C
<b>Certification :</b> CE Mark
<b>Connector :</b> 8A Interlocking and Plug-in connector
<b>Installation :</b> Standard Wall box mounting
<b>Function Block Type &amp; Quantity :</b> 1 X Node Object 6 X Switch Object
<b>Transmission Distance :</b> Ref Echelon Power Line specification
<b>Dimension :</b> W 86mm X H 86mm X D 142mm

**\*For scene control please contact us.**

## STYLING



## Features:

The Touch Screen Keypad is able to link Home Automation, Security, Surveillance and e-commerce. It provides a fully interactive function to help manage control of the environment such as HVAC, lighting, security and entertainment systems.

The Touch Screen Keypad links with the Home Automation System. It can also replace the traditional AC power cord On/Off switch. The Touch Screen Keypad offers easier wiring and less wiring materials and it is more efficient in manufacture. Programmable functionalities are able to alter other controlling functions, which improves convenience and flexibility in use.

- Each function key lights up with A touch ON the panel
- Illuminated cool-blue backlight at night
- Aluminum (DELETE MADE) panel with either sand or mirror effect

## Nico Technology Ltd.

24F. No.37 San Min Rd. Sec. 2 TEL: 886.2.2954.5338  
Panchiao, Taipei County (220) FAX: 886.2.2954.5308  
Taiwan, R.O.C. www.nico-tech.com